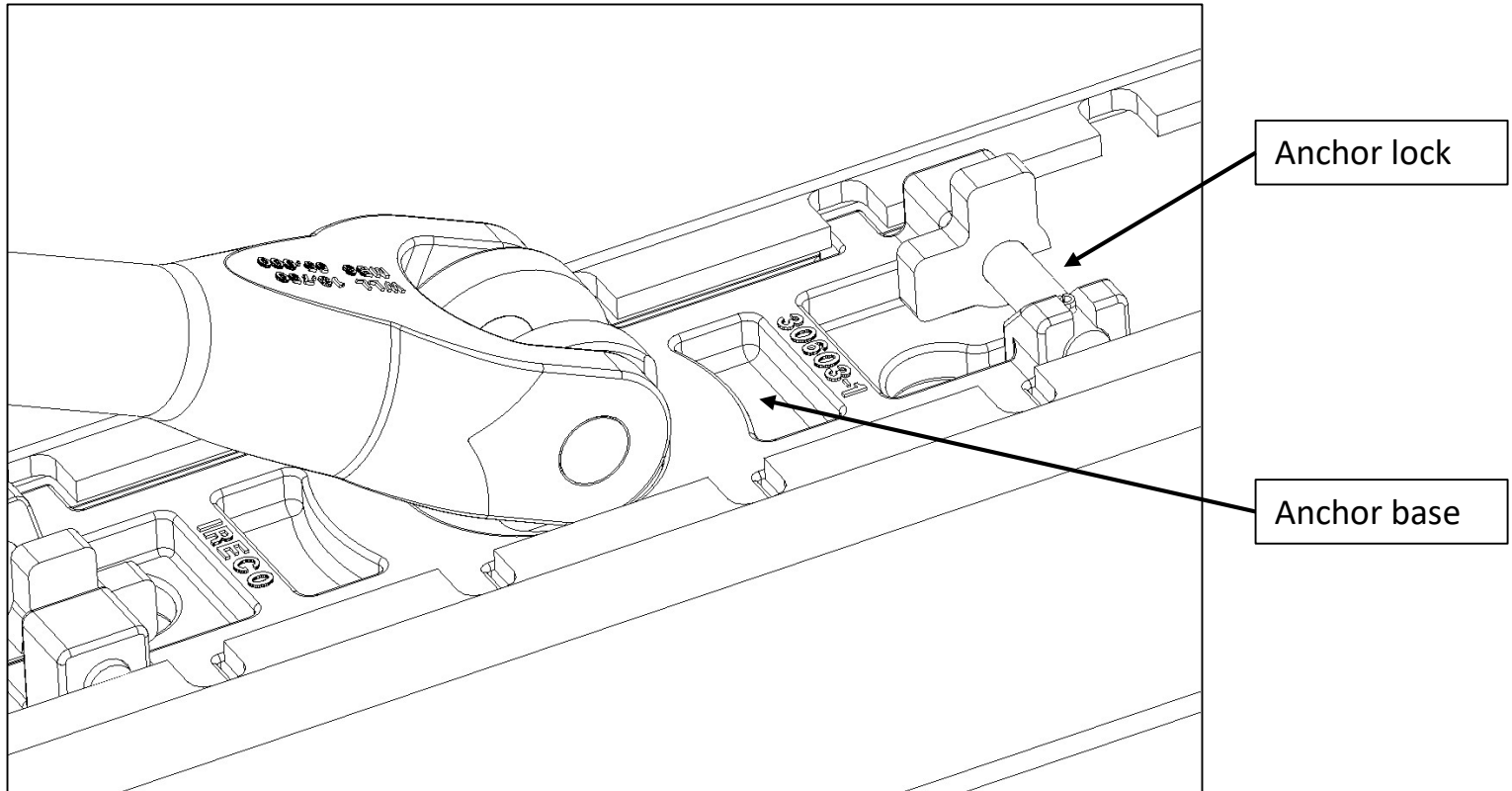


## IRECO P/N 30600 chain tie down (US Patent Pending)



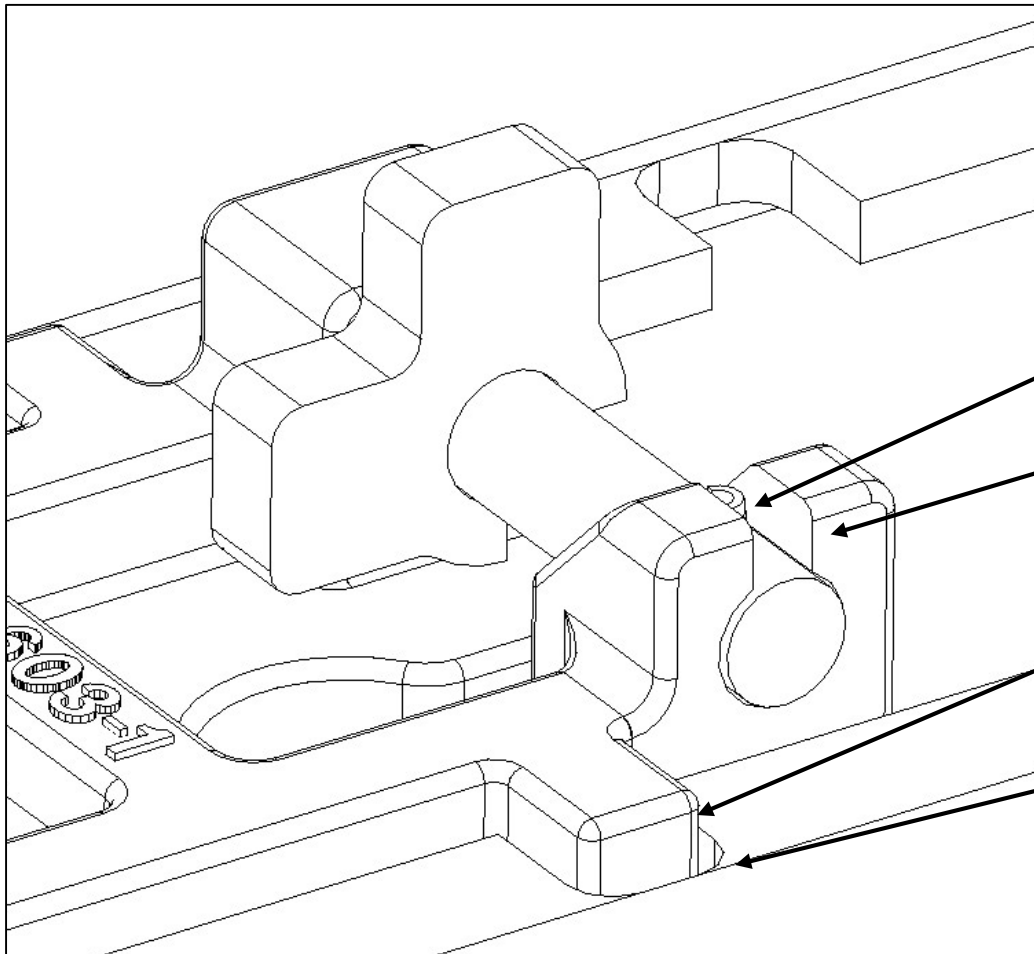
Remainder of  
chain tie  
down device  
omitted for  
clarity

Anchor lock

Anchor base

### Operation instructions (engagement) (Revision 05NOV2018):

1. Move anchor base to desired position in flatcar channel. Ensure anchor locks are in the retracted position.



Anchor lock shown in retracted position. Note that key in anchor rod is aligned with keyway in anchor base.

Key

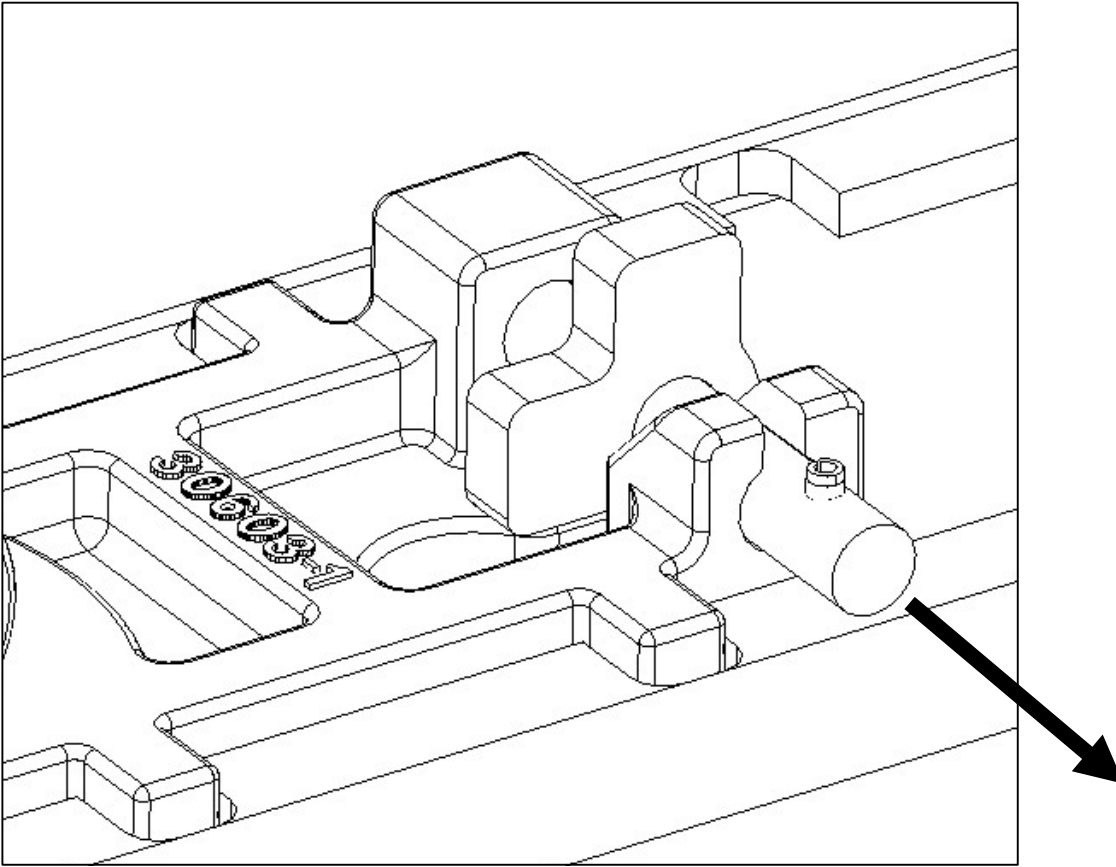
Keyway

Tabs

Slots

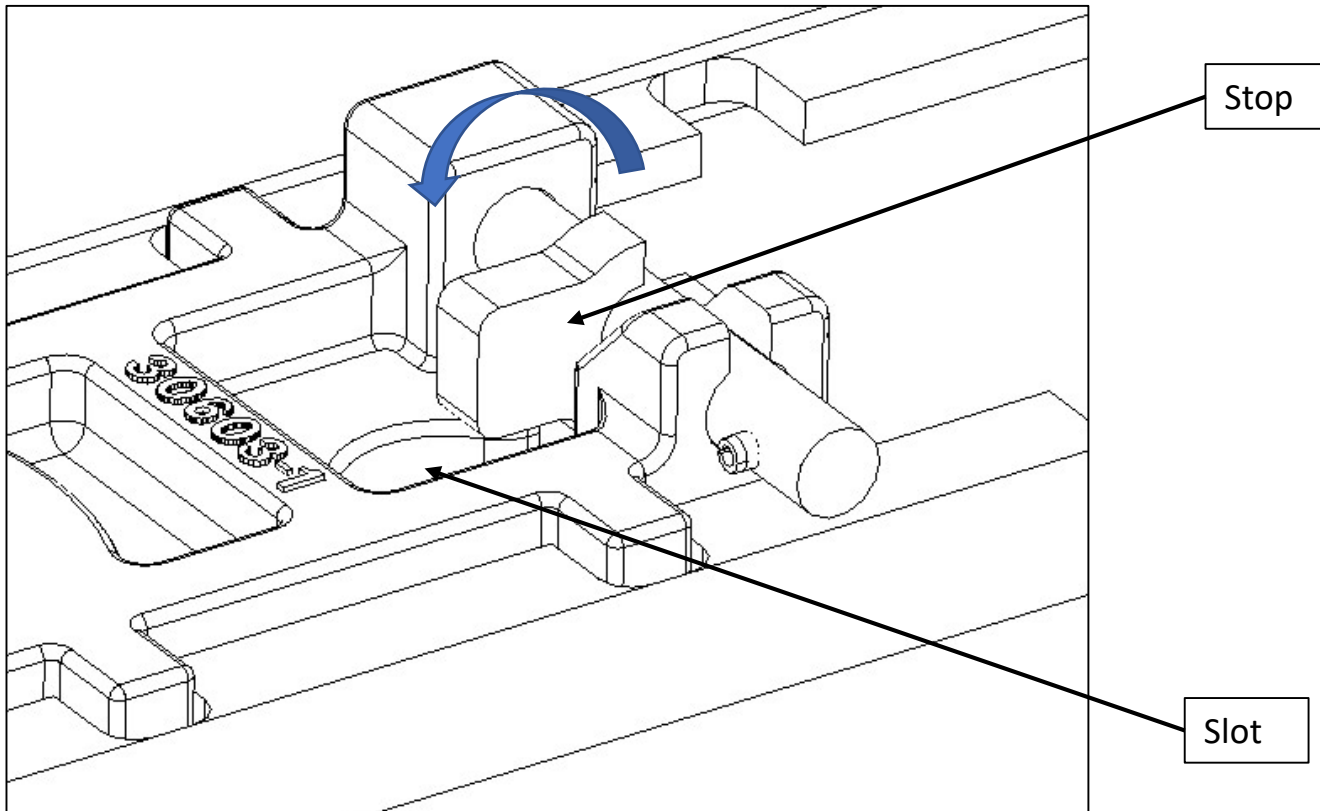
Operation instructions (engagement) (Revision 05NOV2018):

2. Ensure that anchor lock is in retracted position. Raise anchor base to engage tabs on anchor base with slots in channel.



Operation instructions (engagement) (Revision 05NOV2018):

3. Slide anchor lock outward.



Operation instructions (engagement) (Revision 05NOV2018):

4. Rotate anchor lock rod inward so that stop engages with slot in anchor base.

Note: Disengagement is opposite of engagement.